



Features:

- Long life ceramic cartridge for added durability and ease of use
- Minimum working pressure of 1.0 bar
- Operates at a minimum pressure of 1 bar
- Easy-to-use lever handle

Product Certifications:

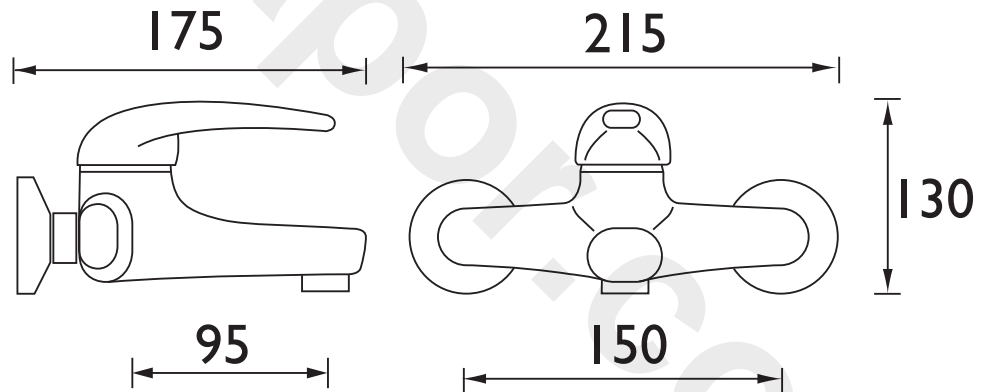
For more products, visit our website:
<http://www.bristan.com>



Specification

Product Type:	Bathroom Taps
Main Construction Material:	Brass
Mount Type:	Wall
Handle Type:	Round
Connection Inlet:	1/2" BSP
Connection Outlet:	M24 Flow Straightener
Number of Tap Holes:	2
Valve/Cartridge Type:	40mm Single Lever Cartridge
Plumbing System Requirements:	Suitable for high pressure systems
Minimum Dynamic Pressure (bar):	1 bar
Maximum Dynamic Pressure (bar):	5 bar
Maximum Hot Water Temperature °C:	65°C
Maximum Static Pressure (bar):	10 bar
Flow Type:	Single
Isolation Included:	No

Dimensions (measurements in mm)



Flow Rates (l/min)

System Pressure (bar)	1	2	3	4	5
J WMBF C (mixed)	17.8	25.2	30.7	33.9	40

TECHNICAL DATA SHEET



BRISTAN